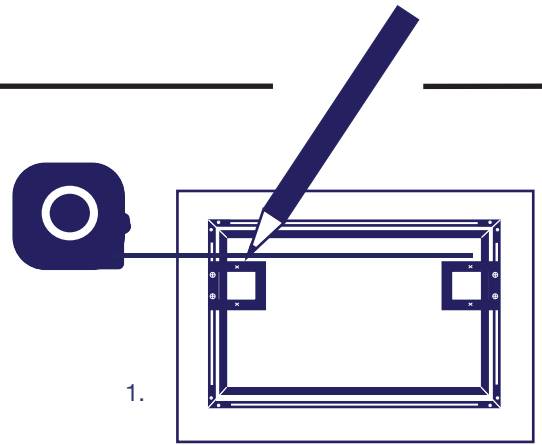
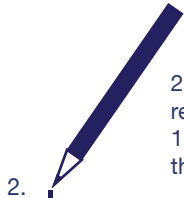


Genesis Framing Hanging Guide

1. Turn your work face down, protecting the front of your work. Measure the distance between the centers of each canvas hanger (marked with an X on the canvas hanger itself). This will be the distance of the nails, screws or hooks that will hold your work onto the wall.

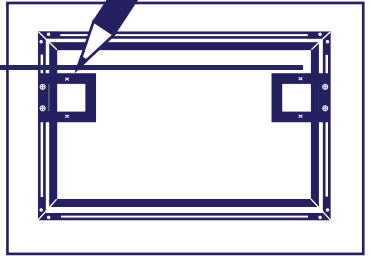


2. Determine the height at which your work will be hung (we recommend for standalone pieces a museum-standard height of 156cm to the center of the image). This should be measured from the floor upwards.

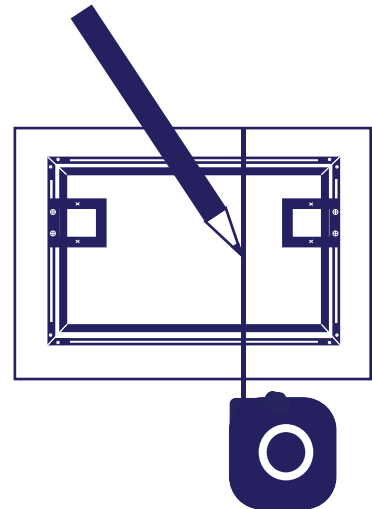


3. Measure the centre of the back of your work (bottom to top) and the distance between this measurement and that of the top of your canvas hangers. This will inform the height at which you will be placing your screws, nails or hooks. If you are working at a height of 156cm and your canvas hangers are 10cm higher than the centre of your work, this will be a drilling height of 166cm.

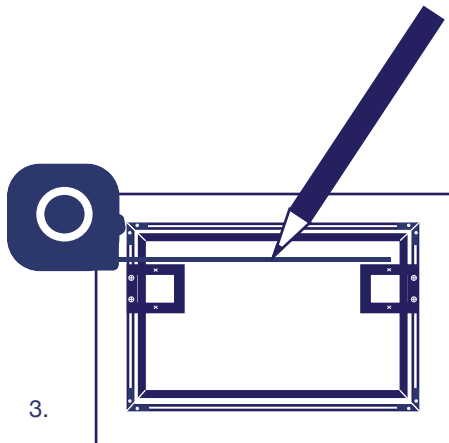
1.



2.



4. Mark your first measurement on the wall (always double-check this – it's easier to re-mark your wall than it is to re-drill a hole).



3.

5. Place a subsequent mark the distance between the two x's on the canvas hangers (your measurement in the first step).



6. Check the measurements you have put on the wall with a spirit level.

7. Depending on the surface and composition of your wall, the size and weight of your final piece, you may need to use heavyweight raw-plugs. If in doubt, please consult a building professional.

8. Attach your screws, nails or hooks at the correct height before placing your work on the wall.



G GENESIS
FRAMING

Nobody frames an image like Genesis

T: +44 (0) 20 7384 6200 E: info@genesisframing.co.uk W: genesisframing.co.uk